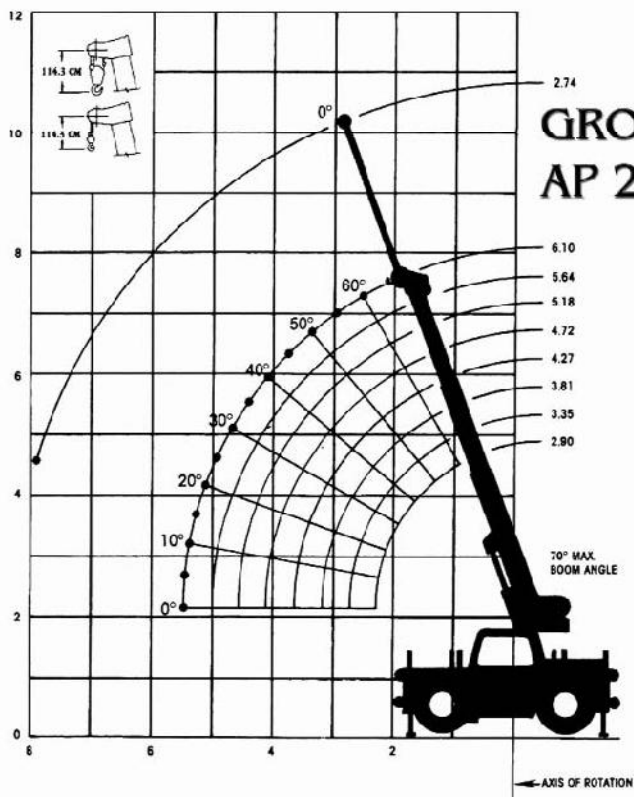


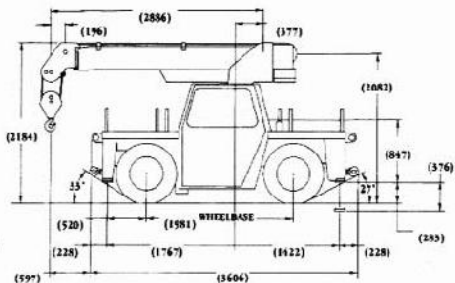
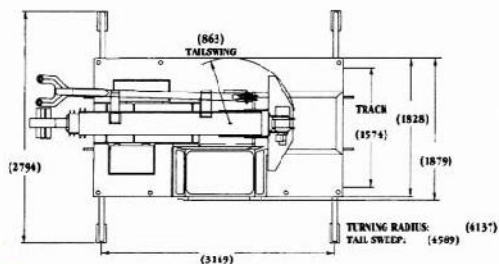


GRÚAS
EUGENIO

DIAGRAMA DE ALCANCES



DIMENSIONES



Servicio Permanente 902 498 499



GRÚAS
EUGENIO

GROVE AP 206

TABLAS DE CARGA PLUMA TELESCOPICA

Radius in. Meters	Over Front	360 Degrees
1.2	*6,000	*6,000
1.2	4,710	4,710
1.5	4,710	4,710
2	4,650	4,530
2.5	4,030	3,590
3	2,980	2,875
3.5	2,500	2,135
4	2,240	1,670
4.5	1,950	1,356
5	1,710	1,125
5.5	1,520	950

TABLAS DE CARGA CON PLUMIN LATERAL

Radius in Meters	Over Front	360 Degrees
2	1,860	1,860
2.5	1,850	1,850
3	1,680	1,680
3.5	1,500	1,500
4	1,380	1,380
4.5	1,250	1,250
5	1,100	1,100
5.5	1,040	1,035
6	1,030	920
6.5	960	825
7	900	745
7.5	870	680
8	840	625

Servicio Permanente 902 498 499